



Questions, call : 1-800-MOTO-USA

<http://www.cannondale.com/motorsports>

Cannondale Motorsports Parts Bulletin

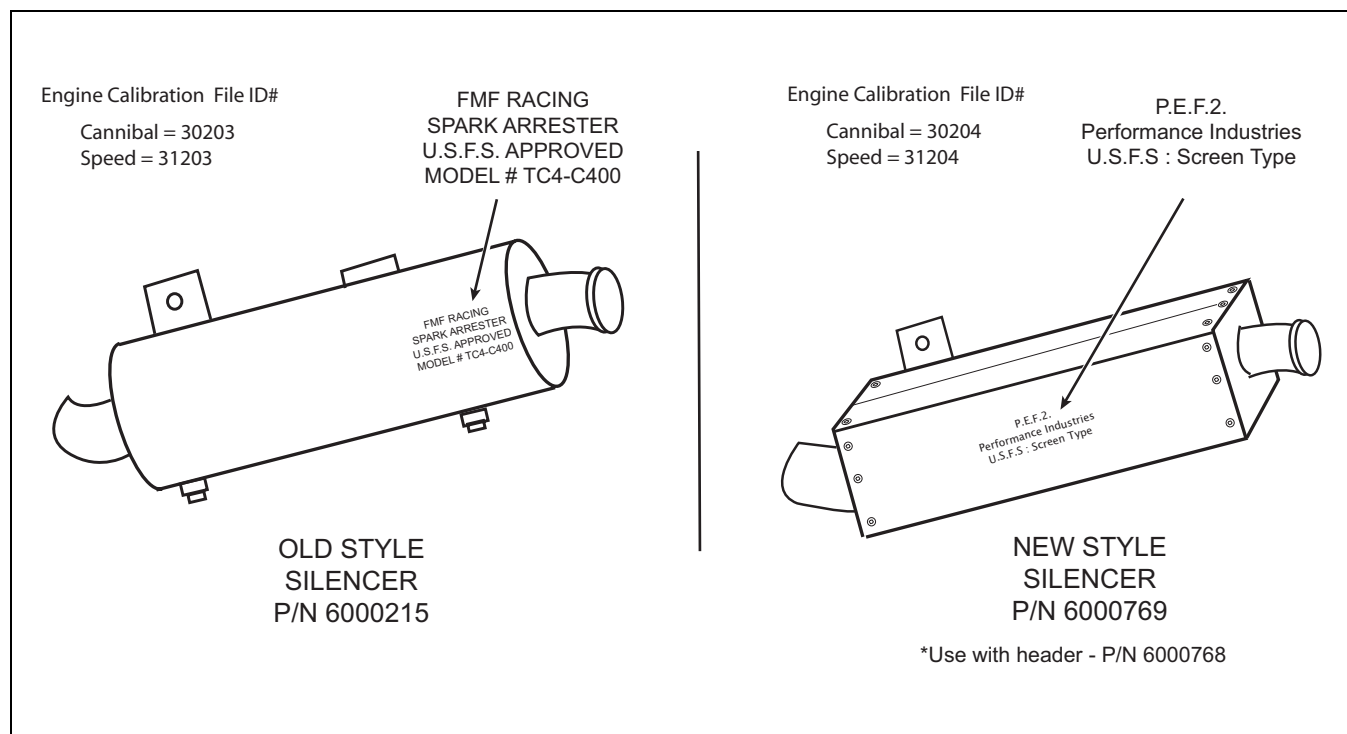
BULLETIN : PB02-003 Rev 2

MODELS : 2002 Cannibal, Speed (ATVs)

ISSUED : 4/8/02

SUBJECT : 2002 Cannibal Exhaust Silencer Replacement

DETAIL : The "round" exhaust silencer P/N 6000215 installed on early 2002 Cannibal and Speed model ATVs is no longer available as a replacement part. Use the replacement "square" exhaust silencer P/N 6000769 with exhaust header P/N 6000768. This replacement silencer **MUST** be installed with the matching engine calibration file. All Cannondale engine calibration files are available on our website - <http://www.cannondale.com/motorsports/tech/maps/>.



CAUTION

Installing/ replacing an exhaust silencer with the wrong matching engine calibration file or "map" can result in severe engine damage or a loss of engine performance.

Information is subject to change without notice.